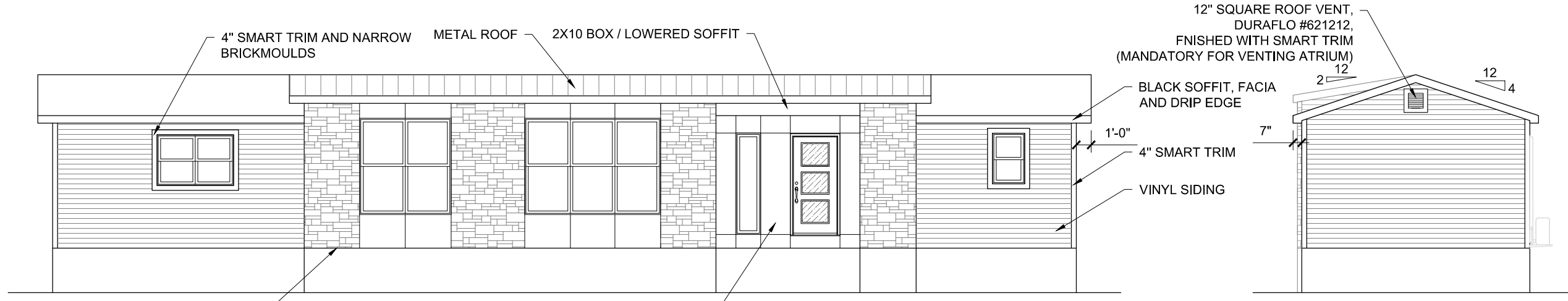
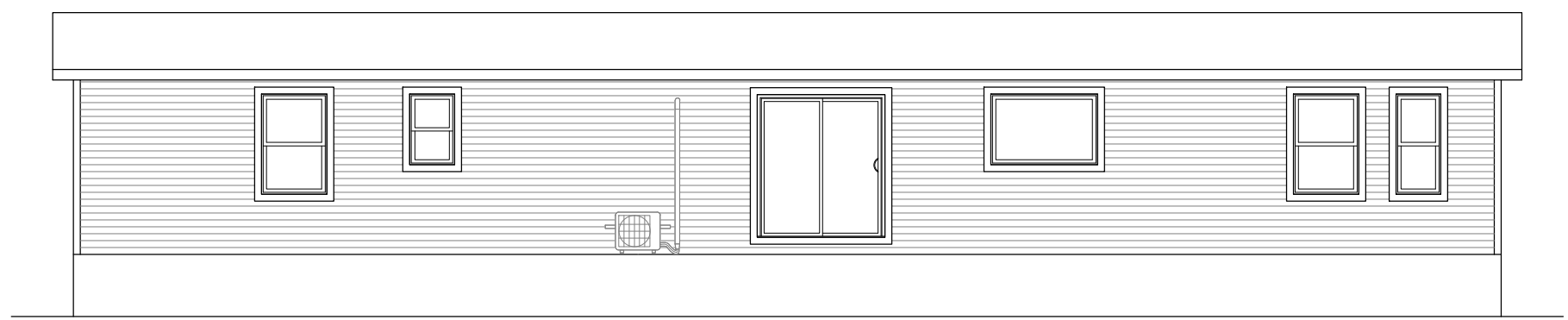


2019-04-01 - 14:01:17

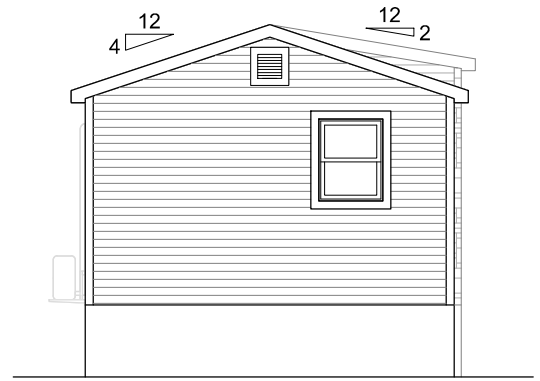


**FRONT ELEVATION**

**RIGHT ELEVATION**



**REAR ELEVATION**



**LEFT ELEVATION**

- SIDING AREAS**
- VINYL SIDING                    906 S.F. + 15% = 1042 S.F.
  - SMART PANEL SIDING        105 S.F. + 25% = 132 S.F.
  - INSTONE                         170 S.F. + 25% = 212 S.F.

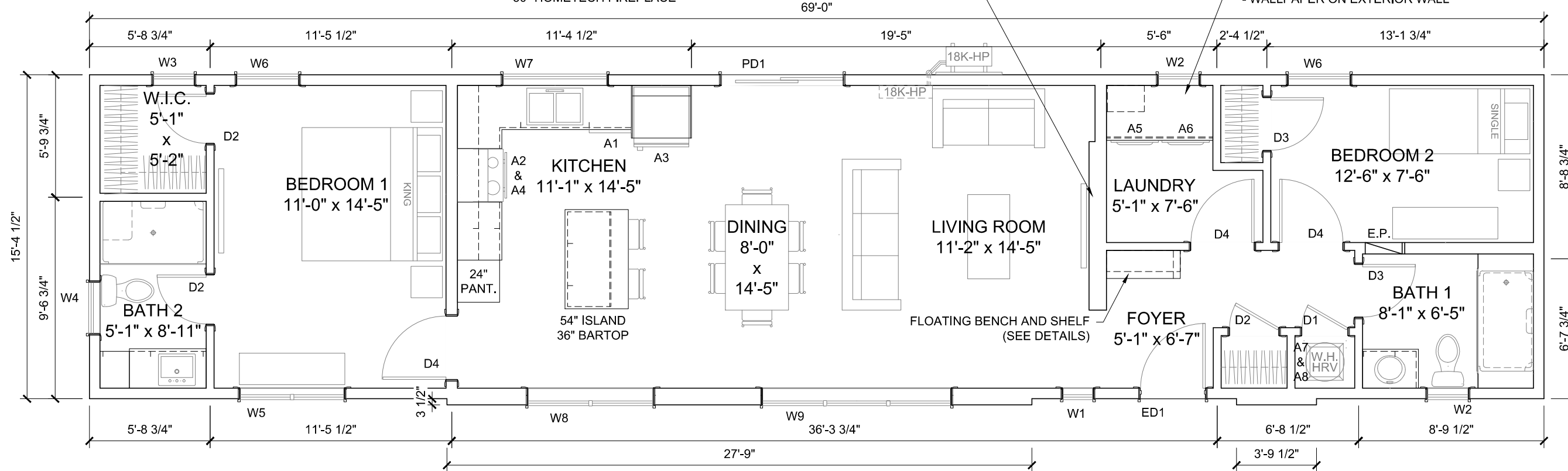
REVISION SCHEDULE			
REV #	COMPLETION DATE	DRAWING STAGE	REVISION NOTES
1		PRELIMINARY	-
2		PURCHASING	-
3		CABINETS	-
4		PRODUCTION	-
5		PARTITIONS	-
6		-	-
7		-	-
8		-	-

I (WE) APPROVE THIS PLAN FOR CONSTRUCTION:

CLIENT: MSH #: -		CLIENT: SSH 3-32-19		RETAILER: MICHAEL BREAU		SIGNATURE DATE: 2019/03/28		1/8" = 1'-0"	
RETAILER: SOUTH SHORE HOMES		QUOTE# / CLIENT NAME(S):		PRELIMINARY DRAWINGS:		DATE OF FIRST DRAWINGS:		<b>ELEVATIONS</b>	
PURCHASING DRAWINGS: -		KITCHEN DRAWINGS: -		PARTITIONS DRAWING: -		CSA#: -			
PAGE #: 1									

ACCENT WALL:  
 - DUO BÉTON BOARDS, WHITE, WITH PINE BOARDS AT SIDES OF 2X4 WALL  
 - 50" HOMETECH FIREPLACE

- 30" COUNTERTOP OVER WASHER & DRYER  
 - WALLPAPER ON EXTERIOR WALL

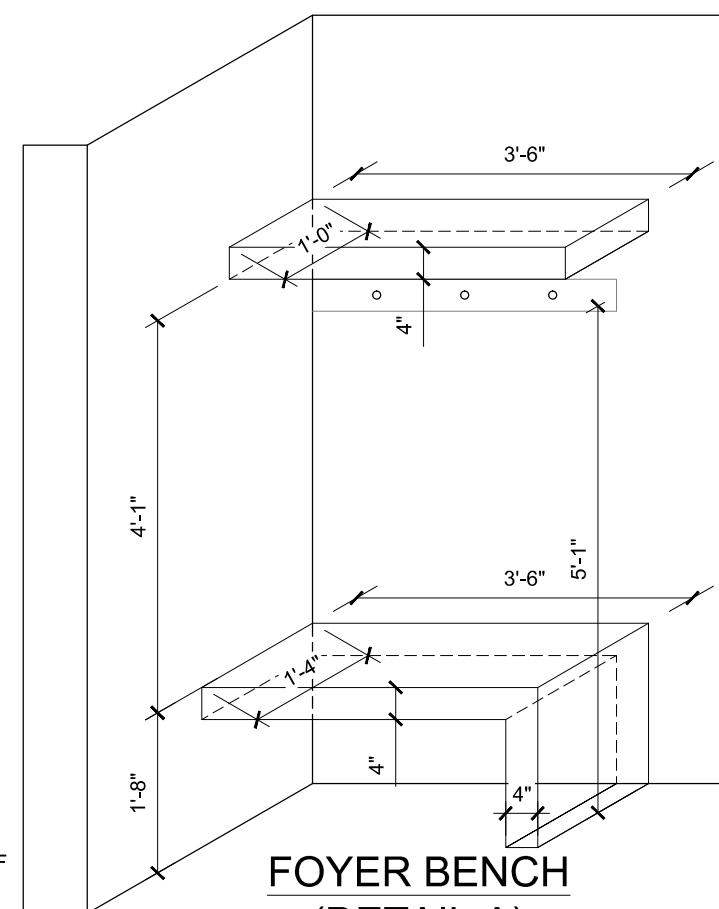
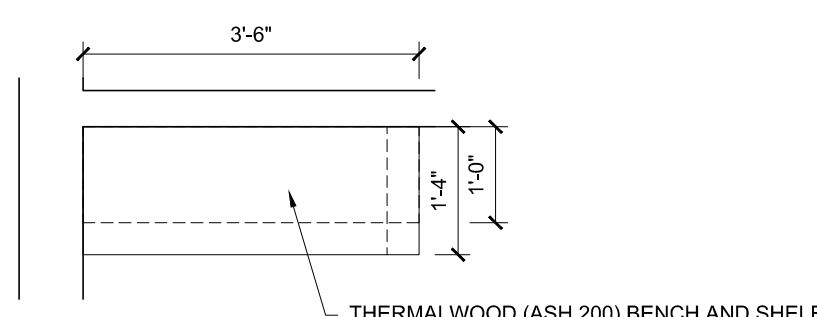


APPLIANCE SCHEDULE	
TAG	TYPE
A1	DISHWASHER
A2	RANGE
A3	REFIGERATOR
A4	MICROWAVE/RANGE HOOD
A5	WASHER
A6	DRYER
A7	HRV
A8	WATER HEATER

INTERIOR DOOR SCHEDULE			
TAG	WIDTH	PANELS	TYPE
D1	26	1	PASSAGE
D2	28	1	PASSAGE
D3	30	1	PASSAGE
D4	36	1	PASSAGE

EXTERIOR DOOR SCHEDULE						
TAG	WIDTH	S L	TYPE	COLORS	B.M.	GLASS
ED1	36	-	IN SWING	WHITE	1 1/4"	LOUISBOURG 3/4
PD1	72	-	PATIO	WHITE	1 1/4"	CLEAR -

WINDOW SCHEDULE							
TAG	W	H	PANELS	TYPE	COLORS	B.M.	GRILLS
W1	18	80	1	FIXED	WHITE	1 1/4"	-
W2	24	39	1	SINGLE HUNG	WHITE	1 1/4"	-
W3	24	56	1	SINGLE HUNG	WHITE	1 1/4"	-
W4	30	39	1	SINGLE HUNG	WHITE	1 1/4"	-
W5	30	39	2	SINGLE HUNG	WHITE	1 1/4"	-
W6	36	56	1	SINGLE HUNG	WHITE	1 1/4"	-
W7	60	39	1	FIXED	WHITE	1 1/4"	-
W8	36	76	2	SINGLE HUNG	WHITE	1 1/4"	-
W9	36	76	3	SINGLE HUNG	WHITE	1 1/4"	-



FOYER BENCH (DETAIL A)

PICK-UP

I (WE) APPROVE THIS PLAN FOR CONSTRUCTION:

CLIENT:	CLIENT:	RETAILER:	SIGNATURE DATE:
MSH #: -	SSH 3-32-19	MICHAEL BREAU	3/16" = 1'-0"
RETAILER: SOUTH SHORE HOMES	QUOTE# / CLIENT NAME(S):	PRELIMINARY DRAWINGS:	DATE OF FIRST DRAWINGS:
PURCHASING DRAWINGS: -	KITCHEN DRAWINGS: -	PARTITIONS DRAWING: -	2019/03/28
PAGE #: 2	PRODUCTION DRAWINGS: -	SIZE: 1070 S.F.	CSA#: -
			FLOOR PLAN



2019-04-01 - 14:01:18